

Shrink Chucks

SK40 | BT40

Edeco 40 year
**ANNIVERSARY
CELEBRATION**

March-June 2024

Optimized stability

through "Balanced by Design" and subsequent fine balancing

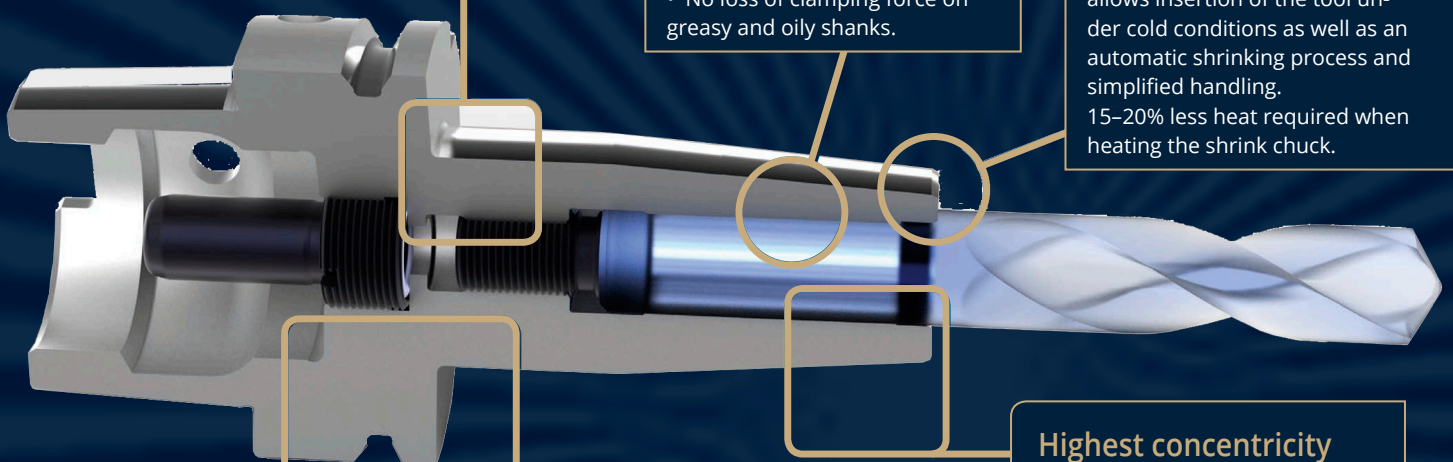
- Better surface quality
- Ideal for HPC/HSC processing
- Low wear of the machine spindle

Security

- All cylindrical shanks acc. to DIN1835 FORM A, B and E as well as DIN 6535 Form HA, HB and HE can be clamped
- No loss of clamping force on greasy and oily shanks.

The patented counterbore

allows insertion of the tool under cold conditions as well as an automatic shrinking process and simplified handling.
15-20% less heat required when heating the shrink chuck.



Longest tool life

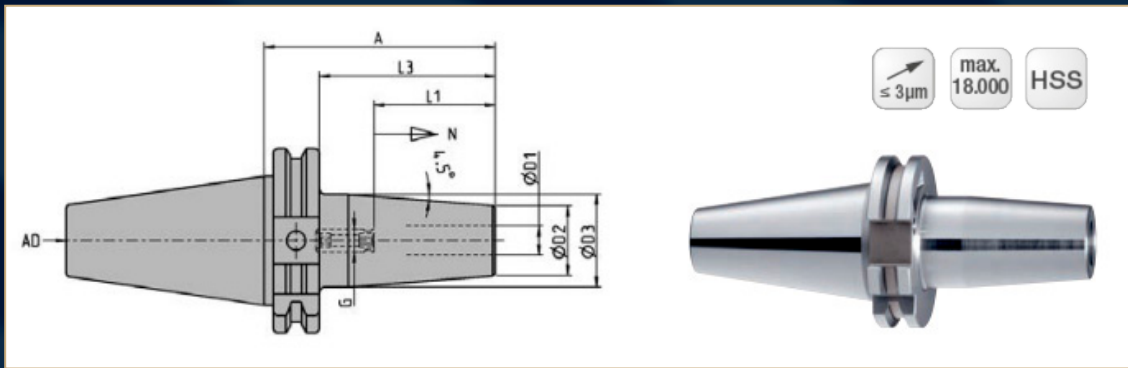
and form stability due to the use of high heat resisting, special purpose steel

- High radial rigidity
- Low deflection
- High rate of infeeds possible

Highest concentricity

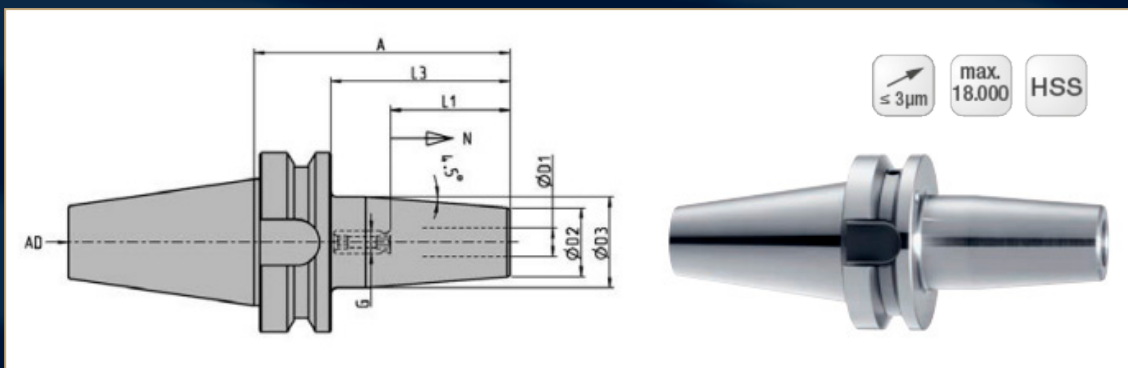
- < 0,003 mm and precise taper tolerances, manufactured in an air-conditioned production area
- Reduced tool costs due to improved tool life, allows a constant cutting edge contact
 - Reduced chatter marks

SK40 / DIN69871



Article No.	Description	Delivery time	D1 (mm)	A (mm)	L3 (mm)	D2 (mm)	D3 (mm)	L1 (mm)	N (mm)	G	Anniversary price SEK	Anniversary price DKK
53.6726852	T0300/AD40	3-5 days	3	80	61	15	20	20	5	M6	1.370	975
53.6726537	T0400/AD40	3-5 days	4	80	61	15	20	20	5	M6	1.180	845
53.6726538	T0500/AD40	3-5 days	5	80	61	15	20	25	5	M6	1.180	845
53.6726193	T0600/AD40	3-5 days	6	80	61	21	27	36	10	M5	1.180	845
53.6726194	T0800/AD40	3-5 days	8	80	61	21	27	36	10	M6	1.180	845
53.6726195	T1000/AD40	3-5 days	10	80	61	24	32	42	10	M8x1	1.180	845
53.6726196	T1200/AD40	3-5 days	12	80	61	24	32	47	10	M10x1	1.180	845
53.6726276	T1400/AD40	3-5 days	14	80	61	27	34	47	10	M10x1	1.180	845
53.6726197	T1600/AD40	3-5 days	16	80	61	27	34	50	10	M12x1	1.180	845
53.6726277	T1800/AD40	3-5 days	18	80	61	33	42	50	10	M12x1	1.180	845
53.6726198	T2000/AD40	3-5 days	20	80	61	33	42	52	10	M16x1	1.180	845
53.6726199	T2500/AD40	3-5 days	25	100	81	44	50	58	10	M16x1	1.180	845
53.6726278	T3200/AD40	3-5 days	32	100	81	44	50	62	10	M16x1	1.180	845

BT40 / MAS403



Article No.	Description	Delivery time	D1 (mm)	A (mm)	L3 (mm)	D2 (mm)	D3 (mm)	L1 (mm)	N (mm)	G	Anniversary price SEK	Anniversary price DKK
53.6726807	T0300/BT40	3-5 days	3	90	63	15	20	20	5	M6	1.040	745
53.6726621	T0400/BT40	3-5 days	4	90	63	15	20	20	5	M6	1.040	745
53.6726622	T0500/BT40	3-5 days	5	90	63	15	20	25	5	M6	1.040	745
53.6726499	T0600/BT40	3-5 days	6	90	63	21	27	36	10	M5	990	710
53.6726484	T0800/BT40	3-5 days	8	90	63	21	27	36	10	M6	990	710
53.6726485	T1000/BT40	3-5 days	10	90	63	24	32	42	10	M8x1	990	710
53.6726486	T1200/BT40	3-5 days	12	90	63	24	32	47	10	M10x1	990	710
53.6726500	T1400/BT40	3-5 days	14	90	63	27	34	47	10	M10x1	990	710
53.6726470	T1600/BT40	3-5 days	16	90	63	27	34	50	10	M12x1	990	710
53.6726501	T1800/BT40	3-5 days	18	90	63	33	42	50	10	M12x1	990	710
53.6726469	T2000/BT40	3-5 days	20	90	63	33	42	52	10	M16x1	990	710
53.6726502	T2500/BT40	3-5 days	25	100	73	44	53	58	10	M16x1	990	710
53.9117365	T3200/BT40	3-5 days	32	100	73	44	53	62	10	M16x1	990	710

EDECO

Edeco Tool AB • Edeco Tool ApS
 Gräsdalsgatan 9, 650 02 Karlstad • Naverland 2, 2600 Glostrup
 Tel +46 54 55 80 00 • Tel +45 70 60 20 29
 edeco.se • edeco.dk